

## ULTRA-SLIM PROXIMITY READER - PR1000

**Excellent outdoor performance.**  
**For any weather condition.**  
**The real waterproof.**



### Specifications

Art. nr. 460101

#### Finish

- Proximity reader - Black (White optional)  
(Supplied with 4 x stainless steel screws and nylon wall plugs)

#### Dimensions

- Reader 130mm (h) x 50mm (w) x 10mm (d)
- Accessory plate 130mm (h) x 50mm (w) x 1mm (d)
- Accessory bezel 155mm (h) x 75mm (w) x 15mm (d)

#### Power Supply & Output

- 9 - 17 Volts DC (80mA consumption)
- Output - Yellow core max. 500mA
- External control buzzer & Red LED
- External control for request to exit (RTE)
- Sabotage loop

#### Operating Temperatures

- -30°C to + 80°C
- Humidity 100%
- IP67 rating

#### Cable (supplied)

- 8 core signal x 2500mm

#### Accessories

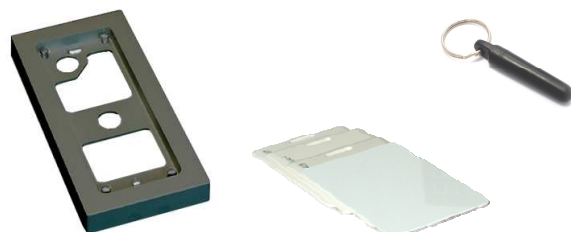
- Mounting plate - Stainless steel
- Mounting bezel - Anthracite grey ABS
- Replacement reader faceplate

The ULTRA-SLIM PR1000 1024 user proximity reader allows for simple installation and configuration into virtually any application. The PR1000 incorporates advanced encrypted coding of user keys. The extremely high IP (67) rating enables the PR1000 to be mounted in exposed external environments. The durable, wipe clean face incorporates LED indicators to assist the user.

Manufactured to the highest standard and offering reliable operation, the PR1000 is compatible with the entire Conlan range of locking devices via our supplementary relays and ancillary power supply units. The PR1000 is suitable for connection to existing access control systems or is ideal as part of a stand-alone system.

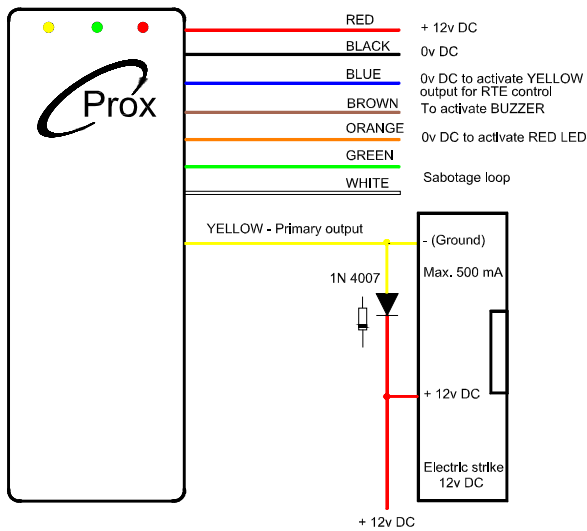
The optional mounting bezel is ideal for surface wired applications.

Replacement keypad faceplates are available to order.



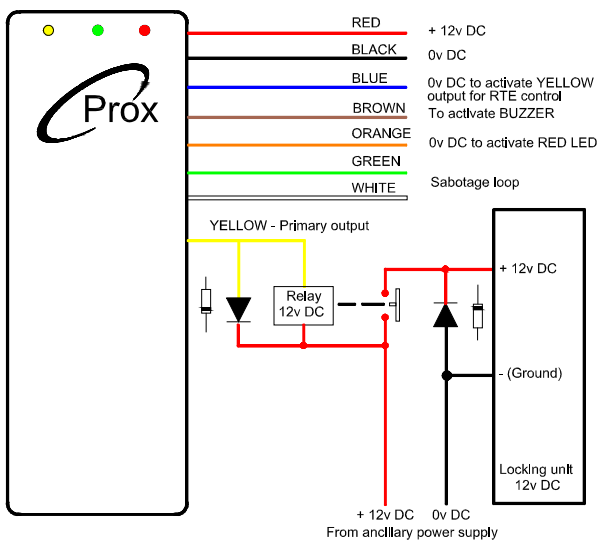
## PR1000 - TECHNICAL DETAILS

### Direct connection



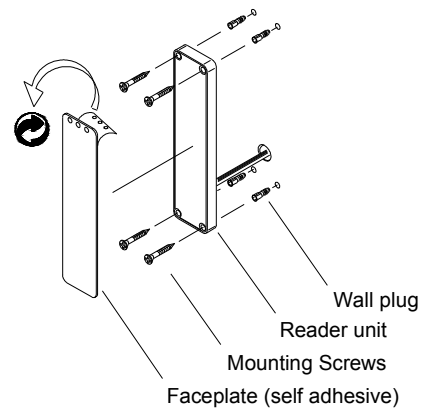
Electric strike, supplementary relay and additional diode shown in the above circuit diagram are for illustrative purposes only and are not included with the PT 1000. Please order separately.

### Indirect connection

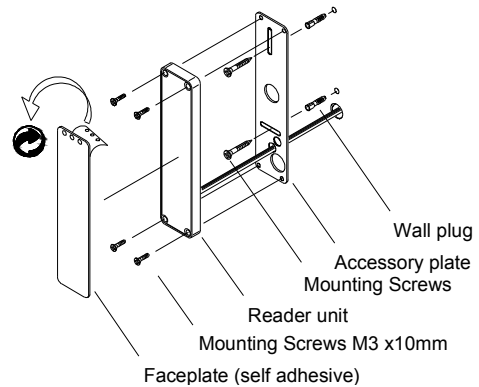


Locking unit, supplementary relays and additional diodes shown in the above circuit diagram are for illustrative purposes only and are not included with the PT 1000. Please order separately.

### Standard installation



### Installation with optional plate



### Installation with optional bezel

