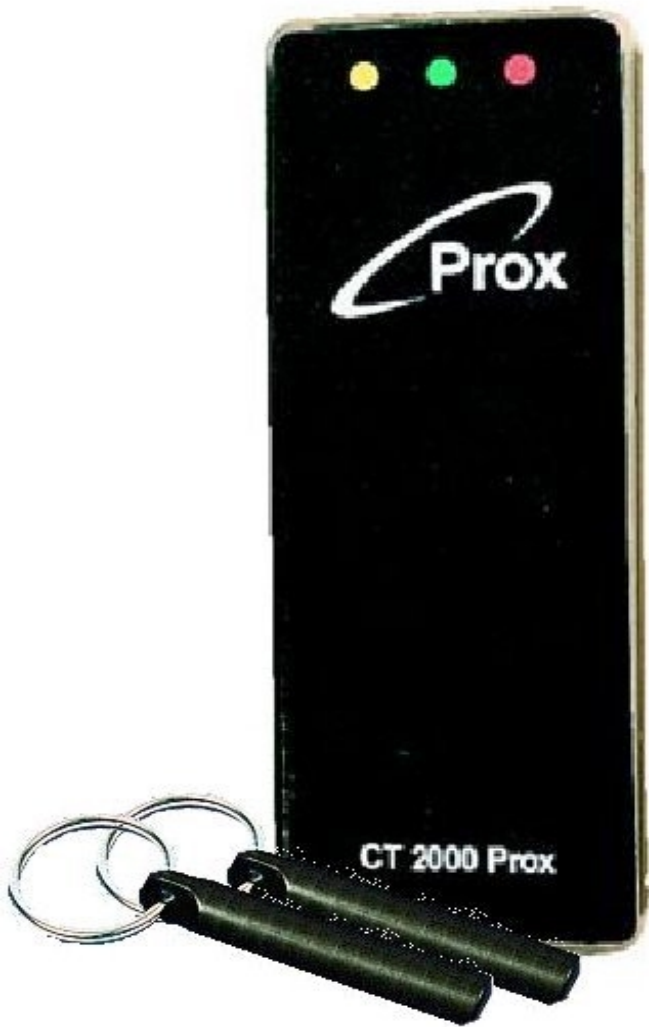


# Proximity Reader

# CT 2000 Prox



## FEATURES

- It is waterproof and vandal proof.
- Elegant slim line design.
- Use tags - no mechanical switches. Cards will be available.
- Up to 100 tags, each tag is unique.
- 2 security levels: User and Technician level.
- 3 LED's for 16 different settings.
- Tamper switch incorporated. Long life construction.
- Output by RS485 bus to other CT2000 products. Output by open collector, up to 500 mA. Output as impulse from ½ sec. to 50 hours, or toggle. Secured against short circuiting.
- Each prox reader has its own selectable ID.
- Programmable from a PC using the PC Interface.
- An EE Prom contains all the settings even if the power disappears.
- Bus communication to all other units in the system.
- 4 modes: Stand alone. Inverse. As a part of the CT2000 system. As an independent pad fitted to other systems.
- Open collector output. 500 mA. Direct connection to an electric strike.
- Add a keypad for using both code and tag or card. A high security level.
- Approved by the Danish Security Authority, Skafor.
- Custom designed front
- Tag:  $\phi = 8$  mm. l = 50 mm.
- Reader distance for the tag up to 4 cm. and 10 cm for cards.

## GENERAL

CT2000 Prox is a Danish produced electronic proxreader for integrated systems and for stand alone units. Show the correct tag and you gain access for a predetermined time. It is an electronic "key". It is for access control, opening doors, turning on/off or working on a data bus to other units in the system.

Normal use:

- Access Control system, controlling the electronic strikes. Stand alone.
- System to by pass Intruder alarm system.
- Turn on/off security systems.
- Prox reader integrated in the CT2000 system or any other systems. Access Control System based on bus communication.

- Register time.

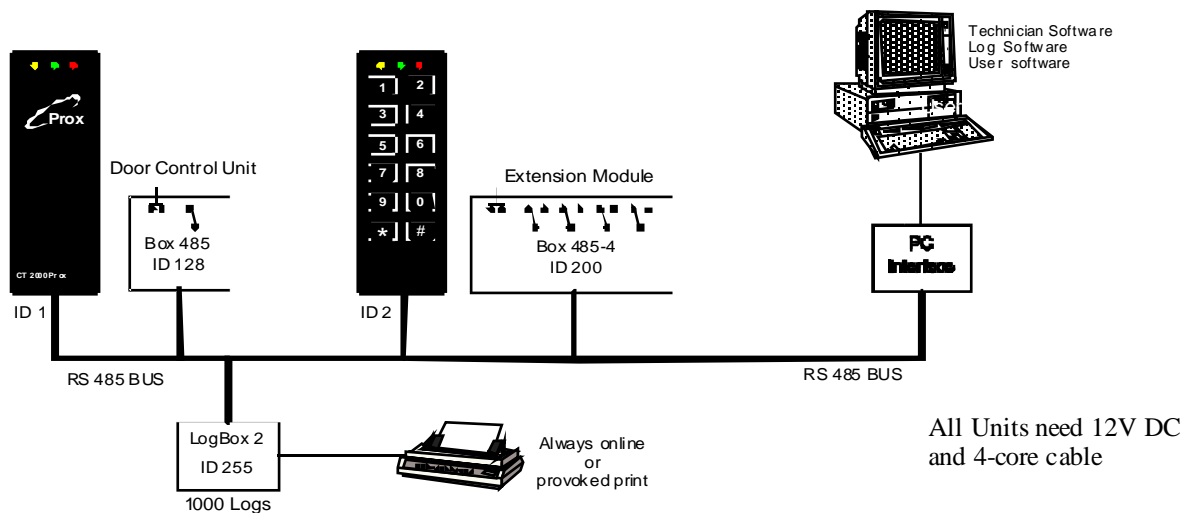
The 100 tags are separated into 13 groups. Each group is able to control the outputs as an impulse or toggle. The impulse can be programmed to be a fraction of a second and up to 50 hours.

Each prox reader has its own ID, and up to 255 units from the system are able to operate on one bus communication line.

## TECHNICAL DATA:

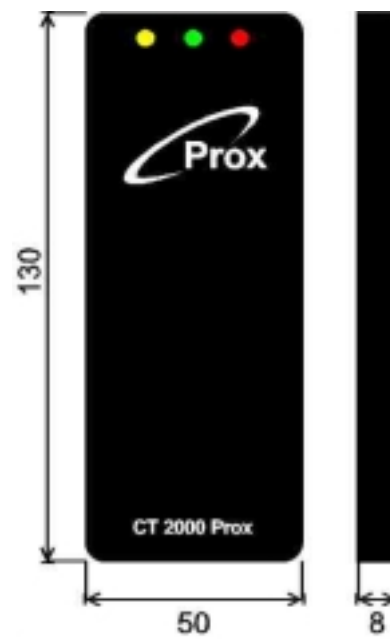
Supply voltage:	12 V
DC	
Voltage range:	8-15 V DC
Current consumption:	20 - 100 mA
Output- open collector:	max. 500 mA
Humidity:	max. 99%
Operating temperature:	-20 C to +85 C
Dimensions (w x h x d):	50 x 130 x 8 mm

# CONLAN



**TECHNICAL DATA:**

Supply voltage: 12 V DC  
 Voltage range: 8-15 V DC  
 Current consumption: 20 - 100 mA  
 Output- open collector: max. 500 mA  
 Humidity: max. 99%  
 Operating temperature: -20 C to +85 C  
 Dimensions (w x h x d): 50 x 130 x 8 mm  
 Weight: 0.2 kg.



**CONLAN**

Gasværksvej 7, B 18  
 DK-9000 Aalborg

Tel: +45 99304050  
 Fax: +45 99304055

www.conlan.dk  
 esh@conlan.dk